

Engine output: 45.5 PS
Machine weight: 2700 kg

For Earth, For Life
Kubota

KC250H/HR-4

KUBOTA TRACKED DUMPER



COMPACT, POWERFUL AND DESIGNED FOR OPTIMUM PERFORMANCE THE NEW KUBOTA KC250H-4 AND KC250HR-4 SAW

Unloading operation

Unloading operation is fast and easy. The profile of the skip of every model has been designed to ensure a quick discharge of the material. With a dumping angle of 55°(H version) and 84° (HR version), all materials discharge very easily. In addition, the rotary function (180°) for the HR version and the 3 ways dump (H version) allows to empty side ways in all conditions when filling a trench for example.



Model KC250-4 H version

Clean environmentally friendly engine

Tough and reliable, the water cooled KUBOTA diesel engine delivers high torque, enhanced power (45.5 PS at 2300 rpm) and optimum fuel efficiency to minimise operating costs. It also features cleaner emissions & quieter operation which means it has lower impact on the environment.



Hydrostatic transmission (HST)

The KC250-4 crawler dumpers feature a variable-speed, 2-pumps, 2-motors, clutchless Hydrostatic Transmission (HST) System. This advanced transmission offers smooth control - the operator can select the most adapted speed for the job site, and can easily shift from High speed (up to 11 km/hr) for flat surfaces to Low speed (up to 6 km/hr) for rougher terrain. This HST helps make working and travelling more efficient and productive, and it offers a smoother ride therefore reducing operator fatigue.

Advanced track mechanism: Triple flange and short pitch



The KC250-4 track mechanism features triple flange rollers. 8 track rollers are mounted on bogey type technology, it ensures great stability on slopes and rough terrain. The short pitch track offers smooth drive for an optimal comfort at high speed.

IMUM COMFORT, VE YOU TIME AND TROUBLE.

Performance

With their fast travelling speed and a loading capacity of 2500 kg, the KC250H and HR-4 can easily transport a large quantity of material in a short time. With their powerful tracked undercarriage, they can work in different ground conditions. The KC250H and HR-4 can easily avoid obstacles with a rear angle gradeability of 27° and a ground clearance of 334 mm.



Model KC250-4 HR version

Maintenance

A large hinged panel on top of the engine allows good access for easy maintenance. The battery is located outside the engine compartment in order to keep it cool. A side panel gives good access to the air filter.



Reversible seat

The Kubota KC250-4 crawler dumpers feature a deluxe, reversible seat that allows the operator to turn through 180 degrees and face the opposite direction of travel. Since the control levers are attached to the seat, operation is seamless, even in reverse. This helps create a safer, more efficient work station.



Safety

For maximum safety of the operator, the KC250-4 feature a ROPS / FOPS canopy and a seat belt for additional safety. Two ergonomic handles facilitate access to the driving post.

Anchor points

To make transportation easier and safe, 4 anchor points give the opportunity to secure during transportation from one point to the other. Easy access guarantee best efficiency in order to avoid the operator to climb on the trailer of the truck.



Lifting points and towing hook

Once the skip is in the raised position, you can use the 4 lifting hooks to lift the machine. A towing hook is also available at the back of the chassis.

Control panel

The control panel is conveniently located to the side of the operator. Whatever the driving direction, the operator always has good access to the control levers and good visibility of the dashboard indicators. The operator can therefore concentrate on the job with less fatigue.



Anti skid step

Getting on and off the machine very easily with the safe and comfortable anti skid step. This definitely minimise risk of accident of the operator.



Front Bumpers

A front bumpers protect the machine and reduce potential damages. Two working lights are protected and integrated behind this strong bumper.



Compartment for documentation

Waterproof and lockable compartment is also available on the machine. You can use it for instance with user and technical manuals.



KUBOTA TRACKED DUMPER

KC250H-4

Loading capacity

Thanks to the great versatility, with a maximum loading capacity of 2500 kg and a volume of 1.33 m³, the KC250H-4 is a real multi-purpose dumper that will give you the opportunity to carry all type of materials.



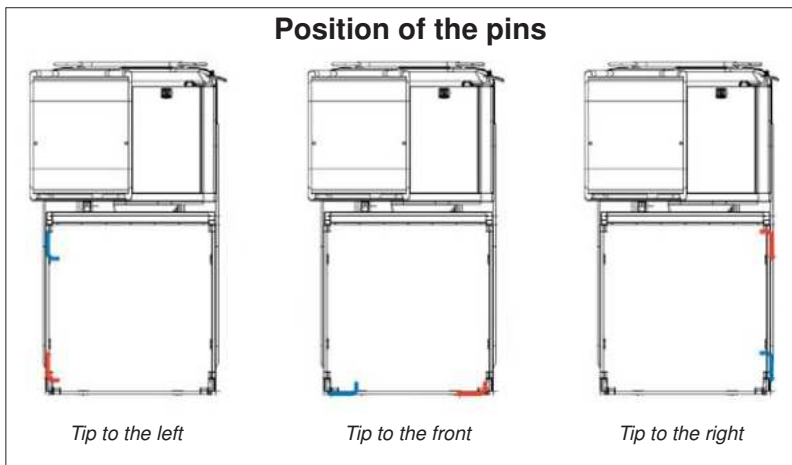
Locking levers

The locking levers for the side panels are very resistant. In the closed position, they are perfectly integrated into the dimensions of the box to get rid of any interference, so increasing their life cycle.



Side selection left tipping of skip

The three choice tipping position is managed thanks to two non interchangeable pins in order to avoid any kind of mistake.



Double opening side doors

Side doors can be manually opened downward to facilitate the load of a pallet. During unloading, the releasing and the opening are automatically done.



Telescopic cylinder

The telescopic cylinder of the skip is very powerful and compact. It insures great efficiency of unloading on the three different sides. Lifting and lowering the skip are easy to manage and offer a big precision in all the situations.



KUBOTA TRACKED DUMPER

KC250HR-4

Loading capacity

With a maximum loading capacity of 2500 kg and a heaped volume of 1.49 m³, the KC250HR-4 is a truly productive machine on any work site.



Ease of unloading

Thanks to its versatility and to the height of the pivot of the skip, the KC250HR-4 can easily empty during travel while modifying tipping the angle of the skip. This feature reduces and facilitates the transport of materials.

Hydraulic motor for skip engine of rotation

The bucket rotation is powered by an hydraulic swivel motor mounted on a slew ring which insures smooth, precise and fast rotation of the skip through 180°.



Control levers

The two control levers manage, on one side, rotation of skip, on the other side, lift of the skip. A safety device allows to avoid any involuntary manipulation of levers.



Tipping angle

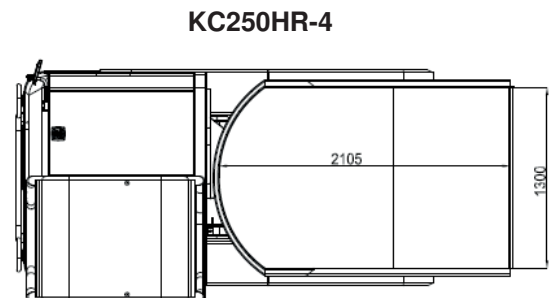
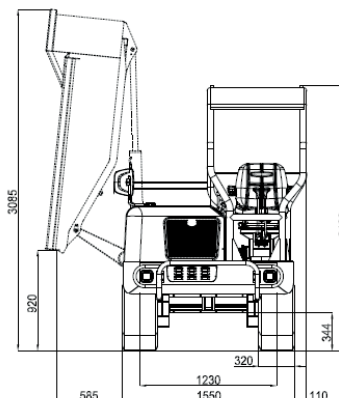
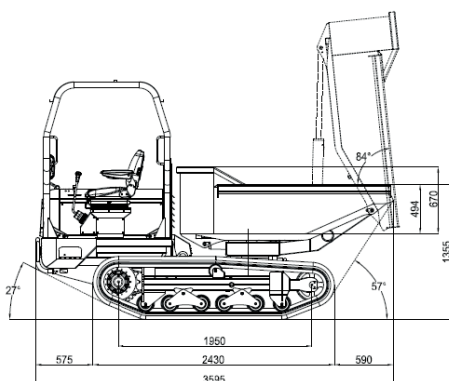
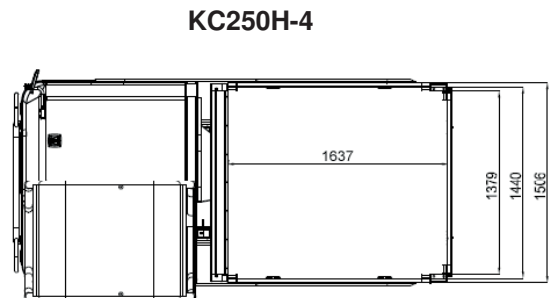
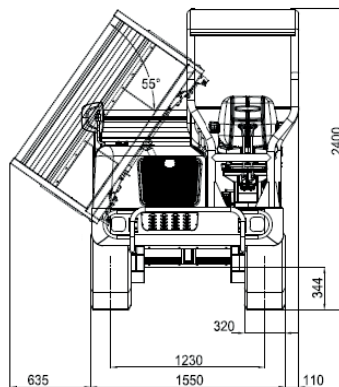
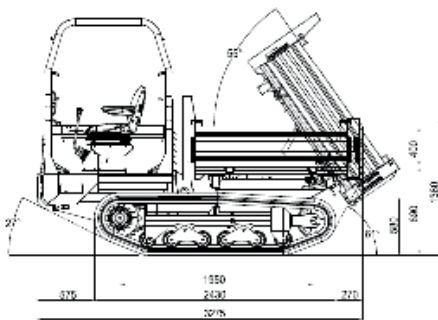
Thanks to the tipping vertical angle (84°), the KC250HR-4 can easily discharge materials even when operating on an incline.

SPECIFICATIONS

Model		KC250H-4	KC250HR-4
Engine	Make	Kubota	
	Model	V2203-M	
	Output kW (PS) / rpm	33.4 (45.5) / 2300	
	Displacement cc	2197	
	Cooling system	Water cooled	
Operating weight	kg	2700	
Max. loading capacity	kg	2500	
Skip tipping system		Hydraulic	
Dumping direction		Three ways dump	Rotary / 180°
Transmission	Type	Hydrostatic transmission HST	
	Hydraulic pumps	2 variable pumps	
	Hydraulic pump flow ℓ/min	2 x 54	
	Hydraulic motors	Radial pistons motor	
	Max. pressure bar	350	
	Main valve	2	
Dimensions	Overall length mm	3275	3595
	Overall height mm	2400	
	Overall width mm	1660	
Internal skip dimensions	Length mm	1637	2105
	Width mm	1440	1300
	Height mm	400	494 / 670
	Dumping angle deg	55°	84°
	Heaped volume m ³	1.36	1.49
	Level volume m ³	0.977	1.09
Undercarriage	Ground clearance mm	344	
	Tumbler distance mm	1950	
	Rubber shoe width mm	320	
	Track roller	6	
Travelling speed	1st speed km/h	0 ~ 6	
	2nd speed km/h	0 ~ 11	
(forward / reverse)	Max. gradeability	Front 20° / Side 25°	
Fuel tank capacity	ℓ	40	
Hydraulic oil tank capacity	ℓ	51	
Ground pressure (unloaded)	gr/cm ²	308	
Ground pressure (loaded)	gr/cm ²	593	

★ The data has been measured on the standard version. Specifications are subject to change without notice.

DIMENSIONS



★ All image's shown are for brochure purposes only.
When operating the tracked dumper always wear proper PPE clothing and equipment in accordance to local legal and safety regulations.

KUBOTA Baumaschinen GmbH

Steinhauser Straße 100
D-66482 Zweibrücken Germany
Telefon : (49) 0 63 32 - 487 - 312
F a x : (49) 0 63 32 - 487 - 101
<http://www.kubota-eu.com>