



DV60

Dual View Dumper

Power for more safety

More space for the legs and an exit option on both sides allow the DV60 to be used even more safely, with a payload of up to 6 tons. In the power version now with extra power under the hood. The hill-hold function and seat belt monitoring with optional start release take the safety of the machine to a new maximum and already think for the operator before it is too late. Many additional comfort features in the basic machine or as an option additionally ensure the comfort factor for the operator.

Highlights

- Swiveling operator's seat with plenty of legroom
- Seat belt monitoring with start release
- Fold-down armrest for entry and exit from both sides
- Power version
- Hill-Hold function

Technical Data

Hydraulic

Operating pressure	240.0 bar
Flow rate	73.0 l/min
Tank capacity	48.0 l

Mechanical - Output Details

Nominal Engine speed	2,300.0 1/min
Travel speed	25.0 km/h

Mechanical Details

Length	4,441.0 mm
Width	2,328.0 mm
Height	3,435.0 mm
Payload	6,000.0 kg
skip	Front tip skip
Skip capacity levelled	2,700.0 l
Skip capacity heaped	3,500.0 l
Skip capacity waterlevel	1,900.0 l
Pendulum angle	11.0 °
Operating weight (min.-max.)	4,220.0 - 4,549.0 kg

Engine

Cooling	Water-cooling
---------	---------------

Motor type	Diesel engine
Cylinder	4.0
Cylinder capacity	2,924.0 cm3
Fuel type	Diesel EN 590
Tank capacity	60.0 l
Effective power	55.4 KW
Nominal Engine speed	2,300.0 1/min
Exhaust-gas limit	EU Stage V
Manufacturer	Deutz
Engine designation	TD2.9 L4

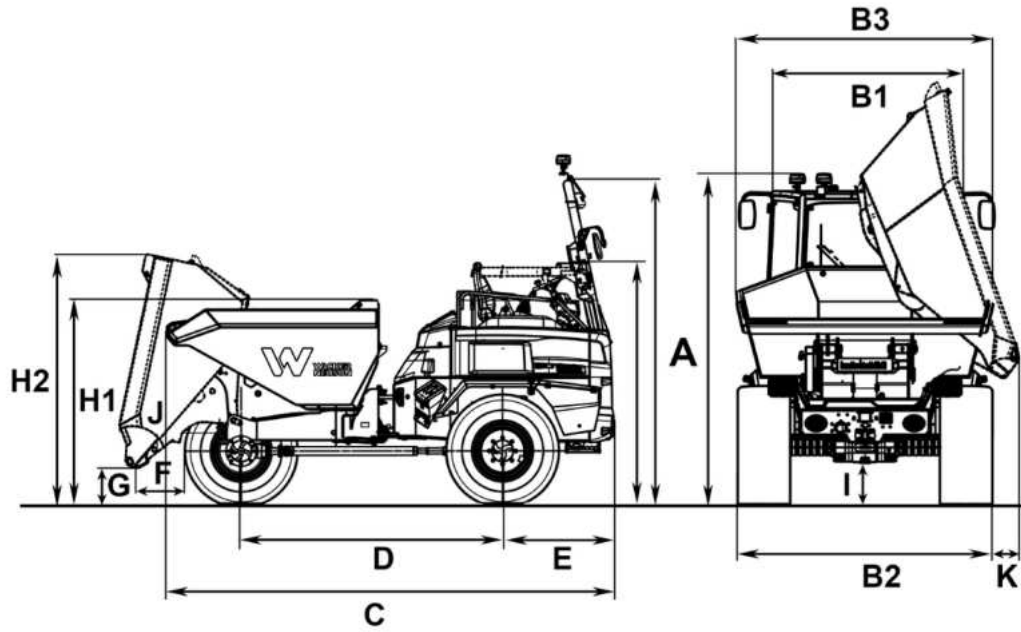
Environment Data

Sound power LWA, guaranteed	101.0 dB(A)
-----------------------------	-------------

Chassis

Turning radius	6,110.0 mm
Articulation angle	29.0 °
hydraulikpump	Axialpistonpump
Flow rate	123.0 l/min
tires	405/70-20

Dimensions



A	Height ROPS	3,435 mm
	Height ROPS with rotating beacon	3,545 mm
	Height of ROPS tilted	2,425 mm
	Height with cab	2,926 mm
	Height of cab with rotating beacon	3,091 mm
B1	Width of cab	1,629 mm
B2	Width of vehicle	2,196 mm
B3	Width of skip	2,328 mm
C	Total length ROPS	4,448 mm
	Total length of cab	4,448 mm
D	Wheel base	2,485 mm
E	Rear overhang	1,157 mm
F	Dumping width	581 mm
G	Dumping height max.	368 mm
H1	Skip height	2,033 mm
H2	Skip height tilted	2,402 mm
I	Ground clearance	362 mm
J	Dumping angle	50 °